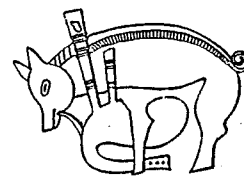


ar leádarlann  
na ríobairí uilleann

an leádar seo



óronnca ag:

DANIEL HERVE  
9th APRIL 1988.



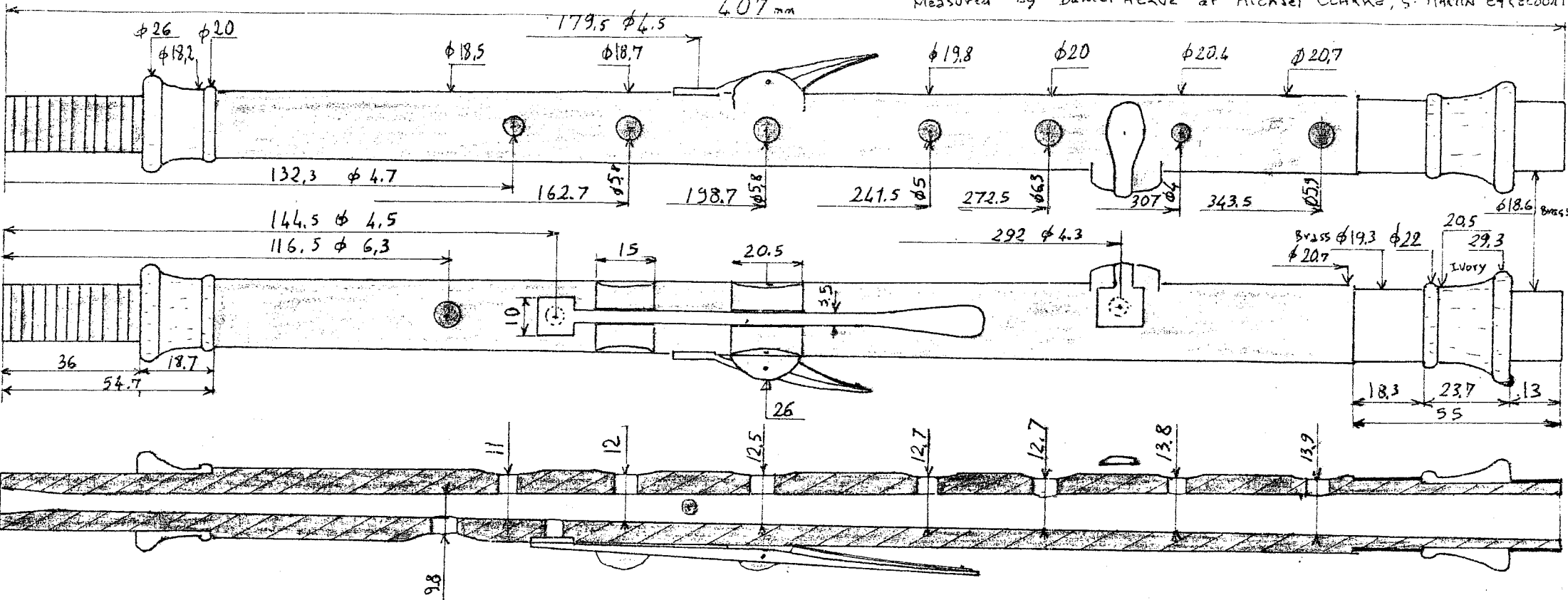
# "C" UILLEANN PIPES CHANTER

MADE BY WILLIAM ROWSOME c. 1900

P/K FZ D25 (500)

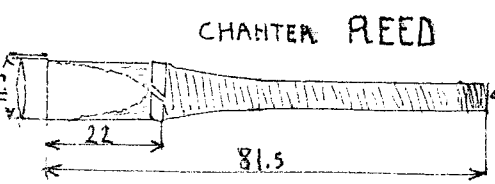
Belonging to Annette LYONS EYRECOULT Co GALWAY IRELAND  
Measured by Daniel HERVE at Michael CLARKE, St MARTIN EYRECOULT

407 mm



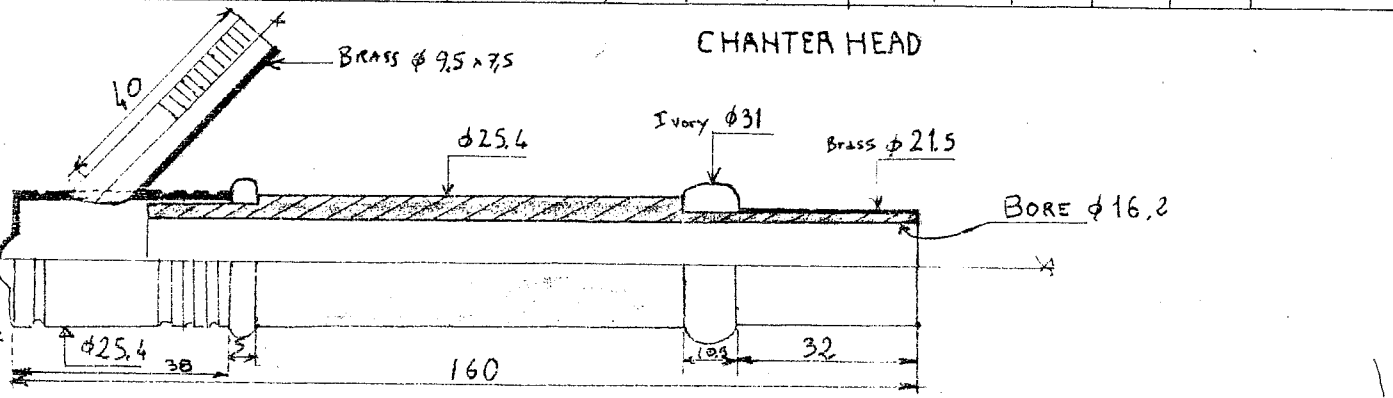
| In BORE DIAM. mm $\phi$ | 12 | 11.7 | 11.5 | 11 | 10.5 | 10   | 9.5 | 9     | 8.5 | 8   | 7.5 | 7.2 | 7   | 6.7 | 6.5 | 6.3   | 6.0 | 5.8 | 5.5   | 5.2 | 5.05 | 4.7   | 4.6 < throat |
|-------------------------|----|------|------|----|------|------|-----|-------|-----|-----|-----|-----|-----|-----|-----|-------|-----|-----|-------|-----|------|-------|--------------|
| DIST / BOTTOM D         | 0  | 16   | 28   | 48 | 75   | 97.5 | 126 | 156.5 | 179 | 210 | 230 | 248 | 259 | 275 | 284 | 296.5 | 310 | 323 | 341.5 | 356 | 364  | 385.5 |              |

| REED RECESS diam $\phi$ | 6.6 | 6 | 5.5 | 5  | 4.7 |
|-------------------------|-----|---|-----|----|-----|
| DIST / TOP D            | 0   | 2 | 8   | 11 | 14  |



STAPLE  $\phi$  ins. 3.5

Flaton the Rowsome original.



CHANTER HEAD

Brass  $\phi$  9.5 x 7.5

$\phi$  25.4

Ivory  $\phi$  31

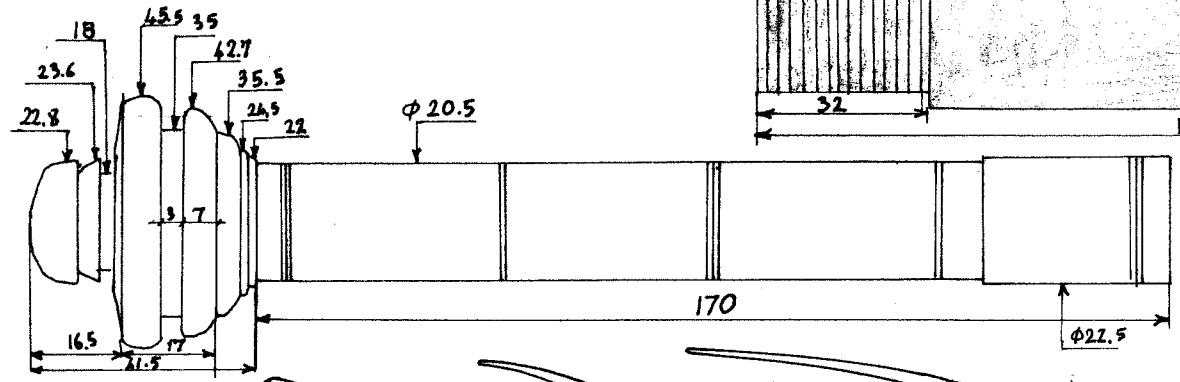
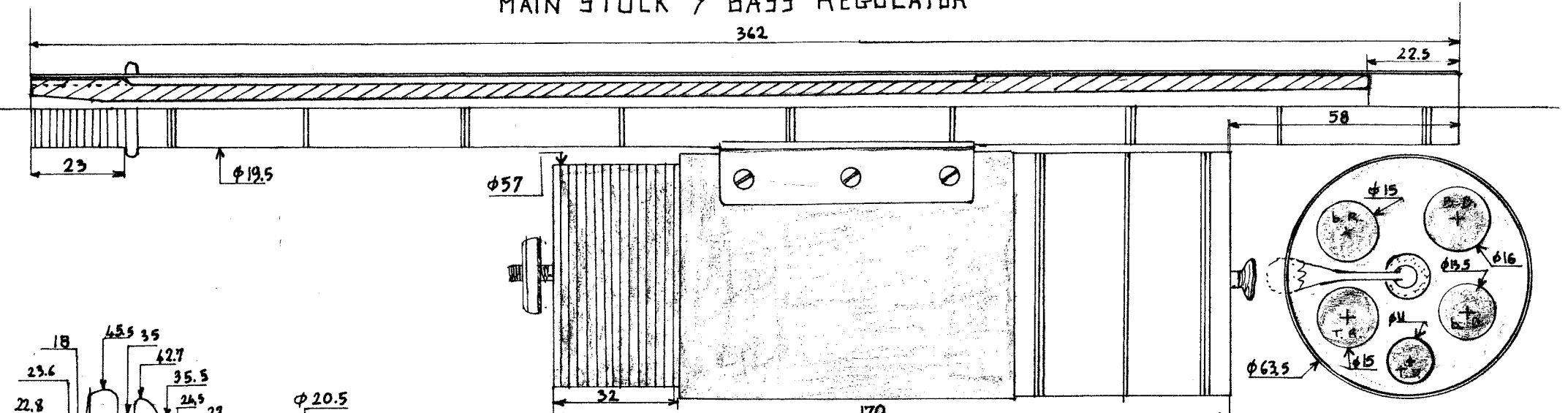
Brass  $\phi$  21.5

BORE  $\phi$  16.2

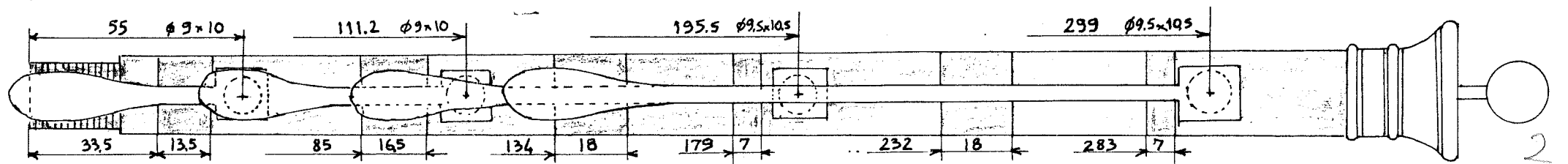
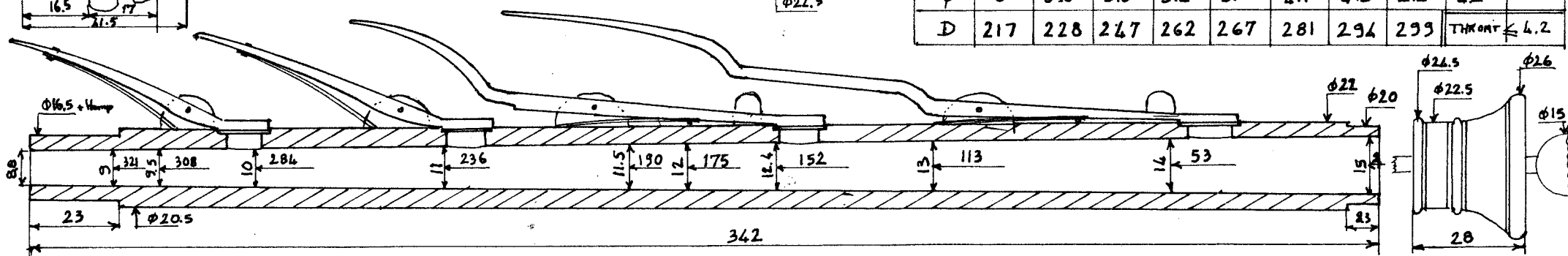
160

"C" SET OF WILLEAUX PIPES      MADE BY WILLIAM ROWSOME      c. 1900  
 MAIN STOCK 7 BASS REGULATOR  
 362

P/K F2 025



| CHANTER PIECE BORE ↓ | REED RECESS |     |     |       |     |     | φ   | 6   | 5.5 | 5   | 4.5 | 4.3 | 4.2          |
|----------------------|-------------|-----|-----|-------|-----|-----|-----|-----|-----|-----|-----|-----|--------------|
|                      | φ           | 9.5 | 9   | 8.5   | 8   | 7.5 | 7.2 | 7   | 6.7 | 6.5 | 6.3 |     |              |
| D                    | 12          | 44  | 72  | 103.5 | 130 | 149 | 161 | 177 | 193 | 204 |     |     |              |
| φ                    | 6           | 5.8 | 5.5 | 5.2   | 5   | 4.7 | 4.5 | 4.4 | 4.2 |     |     |     |              |
| D                    | 217         | 228 | 247 | 262   | 267 | 281 | 294 | 299 |     |     |     |     | THROAT ≤ 4.2 |



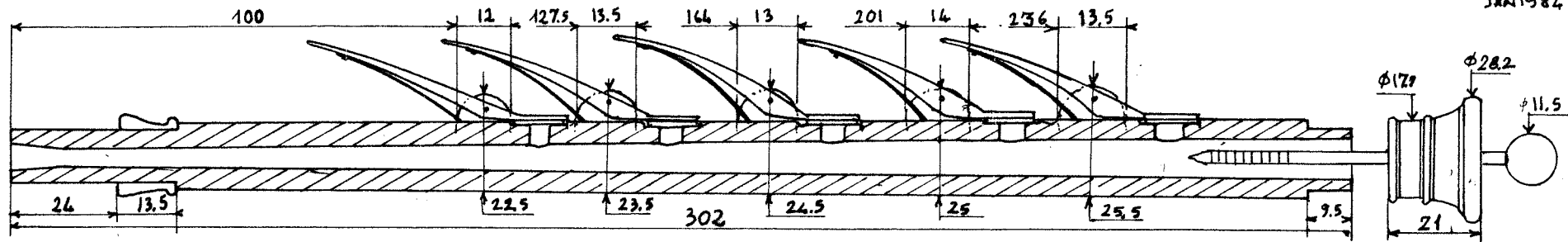
2  
 Daniel HERVÉ

"C" SET OF WILLEAHN PIPES MADE BY WILLIAM ROWSOME C. 1900

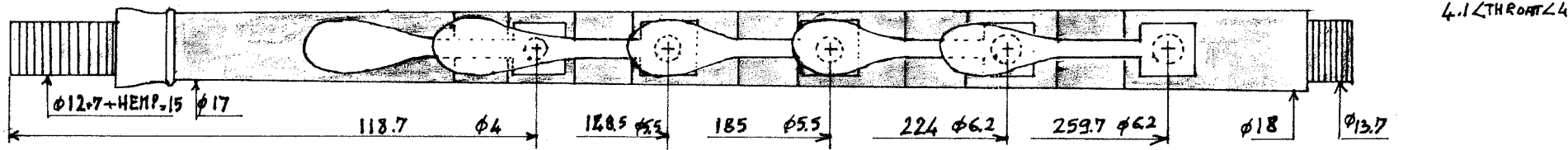
p/c F2 025

4 - TENOR 7 BARITONE REGULATORS

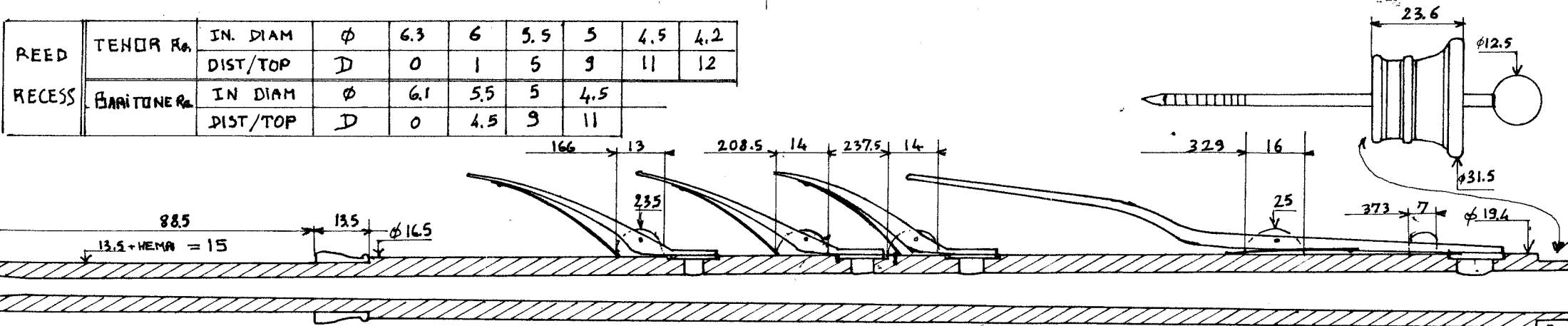
Drawn by HERVE  
JAN 1984



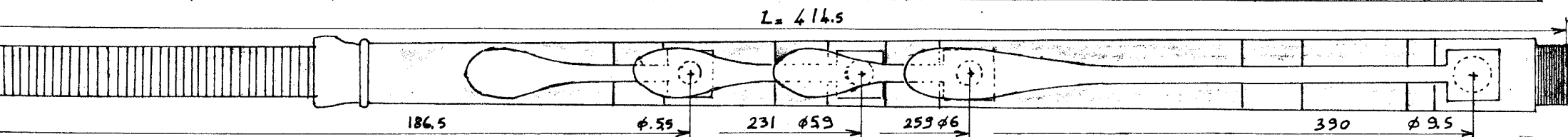
| TENOR REGULATOR | IN. DIAMETER | φ | 9.5 | 9.2 | 9  | 8.5 | 8  | 7.5 | 7.2 | 7.0 | 6.7 | 6.5 | 6.3 | 6   | 5.8 | 5.5 | 5.2   | 5   | 4.7 | 4.5 | 4.4 | 4.2 |
|-----------------|--------------|---|-----|-----|----|-----|----|-----|-----|-----|-----|-----|-----|-----|-----|-----|-------|-----|-----|-----|-----|-----|
| REAMING         | DIST/BOTTOM  | D | 0   | 16  | 46 | 70  | 97 | 119 | 132 | 141 | 155 | 168 | 180 | 194 | 209 | 225 | 237.5 | 244 | 260 | 270 | 274 | 291 |



| REED   | TENOR R <sub>6</sub>    | IN. DIAM | φ        | 6.3 | 6   | 5.5 | 5   | 4.5 | 4.2 |
|--------|-------------------------|----------|----------|-----|-----|-----|-----|-----|-----|
|        |                         |          | DIST/TOP | D   | 0   | 1   | 5   | 9   | 11  |
| RECESS | BARITONE R <sub>6</sub> | IN DIAM  | φ        | 6.1 | 5.5 | 5   | 4.5 |     |     |
|        |                         | DIST/TOP | D        | 0   | 4.5 | 9   | 11  |     |     |



| BARITONE REGULATOR | INN. DIAM   | φ | 11.5 | 11.3 | 11 | 10.5 | 10  | 9.5 | 9   | 8.5 | 8   | 7.5               | 7    | 6   | 5.8 | 5.5 | 5.2 | 5.05  | 4.7    | 4.5 | 4.4 |
|--------------------|-------------|---|------|------|----|------|-----|-----|-----|-----|-----|-------------------|------|-----|-----|-----|-----|-------|--------|-----|-----|
| REAMING            | DIST/BOTTOM | D | 0    | 16   | 78 | 90   | 109 | 130 | 152 | 173 | 201 | (NML ACROSS BORE) | 328? | 340 | 354 | 362 | 391 | 402.5 | THROAT |     |     |

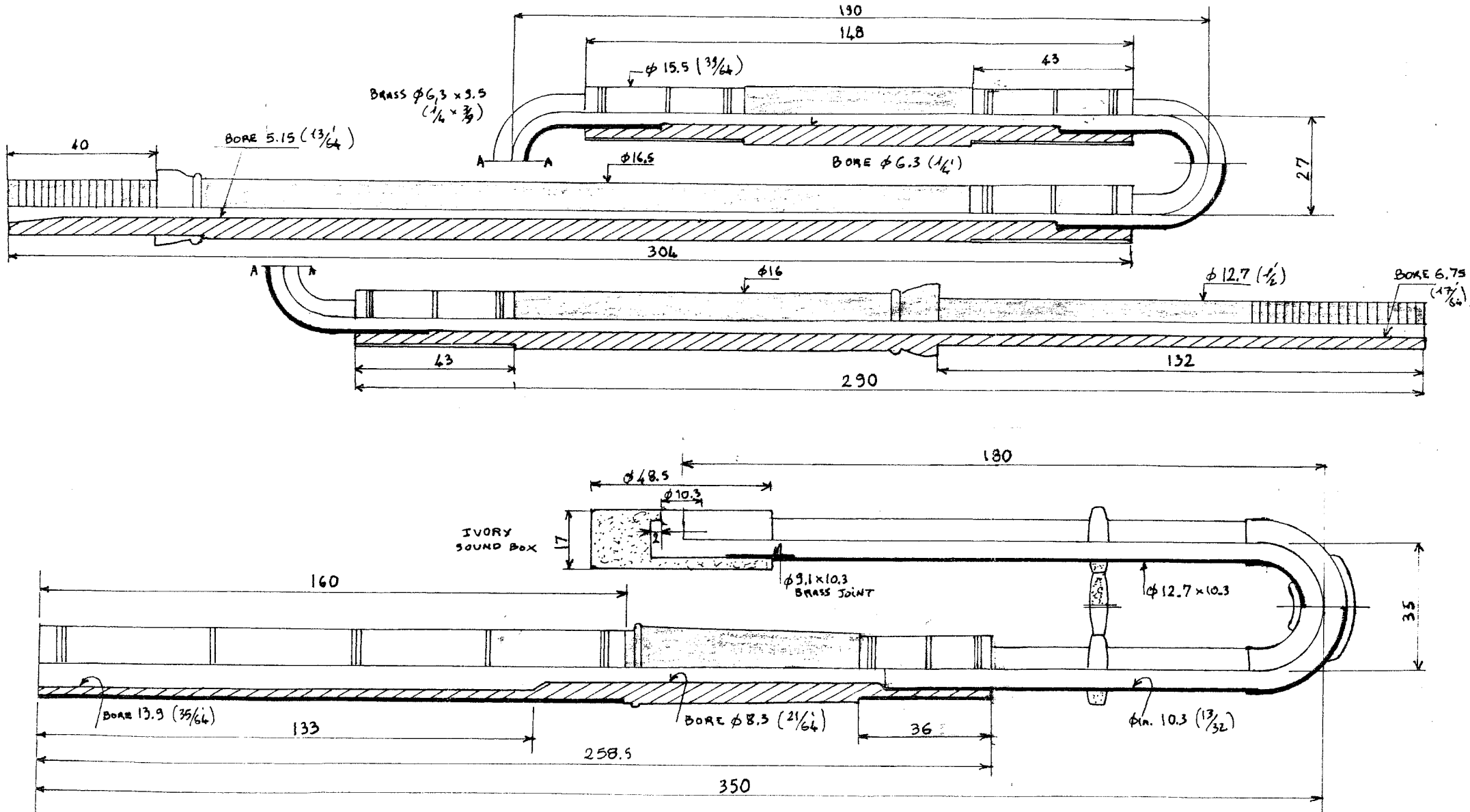


L = 414.5

"C" SET OF UILLEANN PIPES MADE BY WILLIAM ROWSOME

P/C F2 025  
(c. 1900)?

3- BASS DRONE 1/4



Donid HERVÉ  
1984

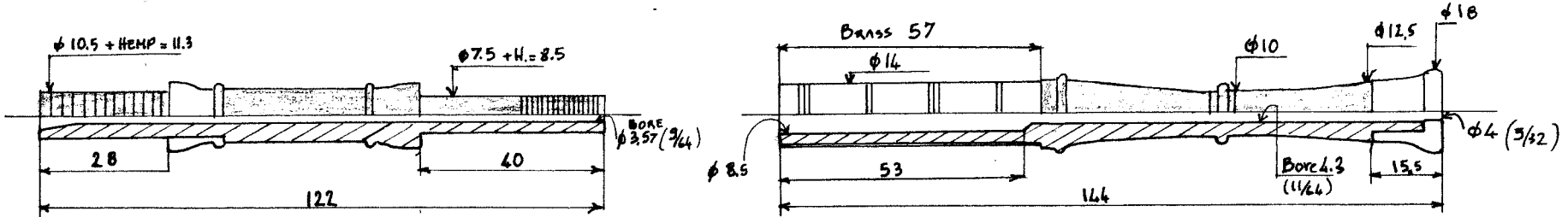
4

p/c 12 D25

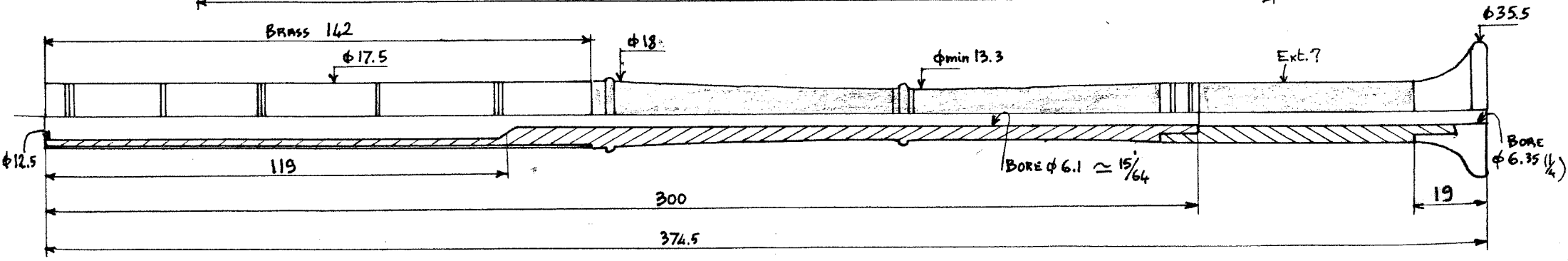
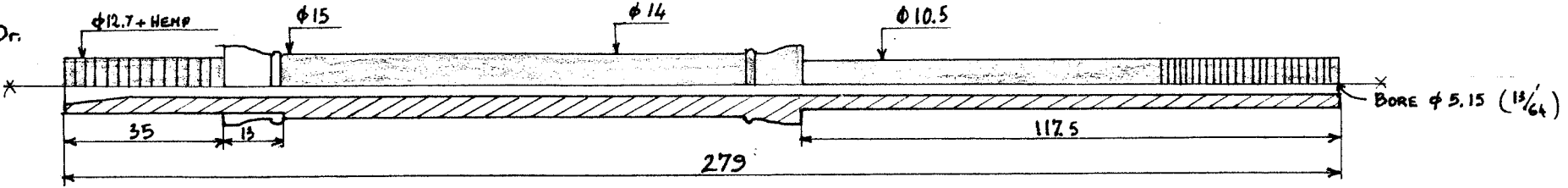
# "C" SET OF WILLEAHN PIPES made by WILLIAM FOWSOME c. 1900

## - 2 - TENOR 7 BARITONE DRONES

TENOR Dr.



BARITONE Dr.



Daniel HERVE

5